



DX Series Heat Pump

Genus Compliant

INSTALLATION AND OPERATING INSTRUCTIONS

OUTDOOR INSTALLATION



HURLCON Manufacturing and Sales Pty. Limited. A.B.N. 97 007 284 504

Victoria:	New South Wales:	Queensland:	South Australia:	Western Australia:
Ph: (03) 9765 9765	Ph: (02) 9674 8544	Ph: (07) 3393 3233	Ph: (08) 8345 5755	Ph: (08) 9258 9322
Fax: (03) 9764 9009	Fax: (02) 9674 8522	Fax: (07) 3393 3255	Fax: (08) 8345 5211	Fax: (08) 9258 9344

www.hurlcon.com.au email: service@hurlcon.com.au

Information and specifications subject to change without notice.

CONTENTS

Introduction

Introduction.....	3
Notice to Installers	3
Safety Rules	3

Operation

Operating Instructions.....	4
Chemical Balance	5
Digital Thermostat Operation	6
Fault Indication	7

Maintenance

Maintenance Instructions	8
Energy saving Tips	8
Winter Operation	8

Installation

Flow Rates	9
Water Connections.....	9
Heater Dimensions.....	9
Clearances	10
Electrical Connection.....	10
Pressure Switch Adjustment	10
Starting the Heater	11
Guide to Heat Pump Noise	12 - 15

Troubleshooting

Fault Finding and Remedies	16
Wiring Diagrams.....	17

Warranty

Terms and Conditions.....	18
---------------------------	----

INTRODUCTION

Congratulations on your purchase of a Hurlcon Heat Pump Pool and Spa Heater. Proper installation and service of your new heating system and correct chemical maintenance of the water will ensure years of enjoyment. The DX Series Heater is an efficient heat pump pool and spa heater. It is equipped with features that take advantage of new technology developed exclusively by Hurlcon.

The Hurlcon Heat Pump can safely be connected to PVC pipe. In addition, the Hurlcon Heat Pump is equipped with an accurate electronic thermostat to ensure ease of use and accurate temperature control. The electronic display tells at a glance the operational status of the heater.

Your heat pump works by extracting heat from the surrounding air. The heat pump works most efficiently in warm weather. So, it is best to operate the heat pump during the warmest part of the day rather than overnight or early in the morning.

It is important to ensure an adequate supply of air and to avoid recirculation of the cooled air exiting the top of the unit. For this reason, the heat pump should not be installed in confined spaces and must have a minimum of 1500 mm clearance above it and 600 mm clearance to the sides and rear. Sufficient clearance should be provided to the front to allow access to the controls and service panel.

Although the unit is weatherproof, it is recommended some protection from the harsh effects of direct exposure to the elements be provided.

The heat pump should be installed outdoors on a level concrete pad.

In most circumstances where heating is required, your heat pump will need to run longer than your filter so that it might be prudent to install a small pump to circulate water through the heat pump independent of the filtration system. Since the heat pump uses electricity so efficiently, it is a pity to waste electricity running an oversized pump. For this reason, the small added cost of a dedicated pump can be recouped and a great deal of energy saved over the years to come.

NOTICE TO INSTALLERS

Heat Pump can not be installed indoors, must be located outdoors with sufficient ventilation as explained on page 10

This appliance must be installed by an authorized person.

This appliance must be installed in accordance with the installation instructions, the National Wiring Rules and any other relevant statutory authorities.

Refer to data plate for details of operating voltage and current.

A multi-pole isolating switch must be installed that operates in all live conductors so that it isolates the entire equipment from the supply.

SAFETY RULES

1. Spa or hot tub water temperature should never exceed 40°C.
2. Drinking of alcoholic beverages before or during spa or hot tub use can cause drowsiness which could lead to unconsciousness and subsequently result in drowning.
3. Pregnant women beware! Soaking in water above 38°C can cause foetal damage during the first three months of pregnancy.
4. Before entering the spa or hot tub, the user should check the water temperature with an accurate thermometer, spa or hot tub thermostats may err in regulating water temperatures by as much as 2°C.
5. Persons with a medical history of heart disease, circulatory problems, diabetes or blood pressure problems should obtain their physician's advice before using spas or hot tubs.
6. Persons taking medications which induce drowsiness, such as tranquillisers, antihistamines or anticoagulants, should not use spas or hot tubs.

WARNING: Should overheating occur or the heater fail to shut off, turn off the manual isolation switch to the appliance. Do not use this heater if any part has been under water.

OPERATING INSTRUCTIONS

1. STOP! Read the safety information above.
2. Turn off electric power to appliance.
3. Turn filtration pump on.
4. Turn on power to the Heat Pump and press the pool/spa button to select pool or spa mode.
5. Set thermostat to desired setting and press ON/OFF switch to ON.
6. If the water temperature is below the set temperature, the fan will start in around 10 seconds. The compressor will start in a few minutes.
7. If the appliance will not operate, follow instructions 3 to 5 above ensuring the thermostat is set to a higher temperature than the indicated water temperature. If the appliance still does not operate, call your service technician.

For Heat Pumps Fitted With The Cooling Option.

To cool your pool with thermostatic control:

1. Turn the controller to “ON”.
2. Move the heat/cool switch to the cool position.
3. Select the desired temperature with the up and down buttons.
4. When the pool temperature is above the set temperature, the heat pump will operate in the cooling mode.
5. When the pool temperature falls below the set temperature, the heat pump will cease operation.

If the controller is set to “OFF” while the heat/cool switch is in the cool position, the heat pump will operate in the cool mode without thermostatic control.

Cooling may be effected at any time without altering thermostat settings by moving the heat/cool switch to the cool position while the controller is set to “OFF”. The heat pump will continue to run in cooling mode without thermostatic control as long as the heat/cool switch remains in the cool position and the controller remains “OFF”.

When the pool has cooled sufficiently, return the heat/cool switch to the heat position.

During operation in weather below about 10 deg, ice may appear on the evaporator coil. If this occurs, the compressor may stop and the \sphericalangle symbol appear on the controller screen. The fan will continue to run in order to melt the accumulated ice. When the evaporator temperature rises sufficiently to allow continued operation, the compressor will restart and the \uparrow symbol will be displayed.

Heat/cool models will automatically heat the evaporator to melt accumulated ice. During this heated defrost mode, the \sphericalangle symbol will appear on the controller screen. This may result in visible water vapour in the airstream. This is normal during cold weather.

CHEMICAL BALANCE

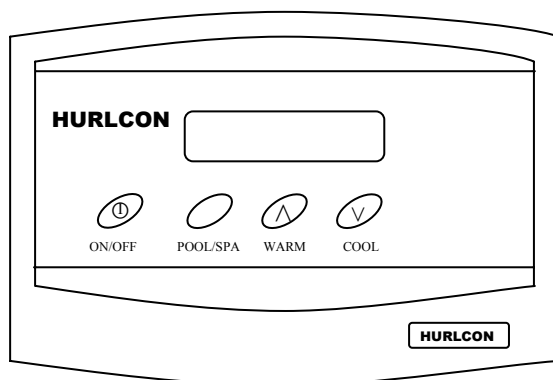
It is imperative that correct chemical balance be maintained in your pool and spa water, otherwise corrosion of your heater may occur. **Corrosion due to chemically imbalanced water or excessive sanitiser is detectable and will void warranty.** Your local pool shop specialist or spa retailer can advise correct chemical balance. Your water should be checked and maintained regularly by a pool water professional. As a guide the following parameters may be used.

pH	7.6 to 7.8
Total Alkalinity	80 to 120 ppm
Calcium Hardness	150 ppm

You should test your water chemical balance at least on a weekly basis.

Excessive sanitiser can damage your heater. Chlorine should not exceed 3 ppm and bromine should not exceed 5 ppm. Salt chlorinators, especially when used on spa pools or indoor or covered pools, can easily produce excessive chlorine levels which will damage the heater internals.

DIGITAL THERMOSTAT OPERATION



DESCRIPTION

The sophisticated digital thermostat provides temperature read out, set point temperature and operating status of the heater. The electronic display indicates the operational status of the heater and any fault conditions.

TEMPERATURE DISPLAY

The temperature display indicates water temperature in the inlet of the heater. Therefore the pump must be operating for an accurate pool or spa water temperature to be displayed.

Comfortable pool temperature is between 26°C and 30°C. Normal spa temperature is between 36°C and 38°C. To select your desired temperature press the up or down button repeatedly until the desired temperature is reached.




To prevent rapid cycling of the heater, the thermostat has an inbuilt time delay which prevents the heater from turning on for two minutes after the set point has been reached. If the time delay is activated, the symbol "L" will be displayed. This is part of normal operation. A further time delay is built in to prevent operation of the compressor for three minutes after the fan starts.

The thermostat can be set to temperatures between 10°C and 40°C. It also incorporates several safety features including a 45°C high limit function to prevent overheating of the pool or spa. On simultaneous shut down of the circulating pump and heater, the water within the heater may exceed 45°C for a short period. If the pump and heater are restarted during this period, the thermostat will go into a standby mode and prevent the heater from operating until the temperature within the heater has dropped below the set temperature.

Should the thermostat fail to stop the heater at the set point or at 40°C, there are two temperature limiting safety devices designed to lock the heater out and prevent further heating. A lock out condition is indicated by the symbols F1 or F2. To reset a lock out condition, turn the power off for five seconds.

FAULT INDICATION

Under fault conditions the thermostat display will indicate a set of alpha numeric symbols to indicate the status of the heater. The meaning of each symbol and action to be taken are listed as follows:

SYMBOL	MEANING	ACTION
Temp Display	Unit has power.	No action.
F0	Heater locked off, thermistor wire disconnected or water at 0°C (freeze conditions).	If water temperature reads greater than 0°C, phone for service.
F1	Thermostat reads greater than 45°C.	Allow water to cool, turn heater off then on again.
F2	Mechanical Hi Limit greater than 45°C. circulation	Allow water to cool, turn heater off then on again. Ensure adequate water
F3	Thermistor fault	Phone for Service
L	Heater locked out on time delay for 2 minutes.	No action. Heater will Automatically reset after time delay. Or switch off then on again for immediate restart.
	Pump operating & sufficient water pressure to operate heater	No action
	Thermostat calling for heat.	No action, heater should start in a few seconds.
	Heater is operating in defrost mode.	No action

MAINTENANCE

It is recommended that you check the following at least every six months and at the beginning of every swimming season.

1. Make sure there are no obstructions to the flow of air to or from the appliance.
2. Examine the evaporator coil and fan grille. Check that debris such as leaves has not accumulated on the inside or outside of the heater. If the evaporator coil is restricted, the heater will not perform at optimum efficiency. The interior of the heater should be cleaned by a qualified service technician.
3. Keep the heater area clear and free of combustibles and flammable liquids. Chlorine should not be stored in the vicinity of the heater. Chlorine vapours, when drawn through a heater, can rapidly cause corrosion of working parts and exterior panels.
4. Keep the heater area free from garden refuse and debris. This will help prevent insects nesting in the unit and ensure extended life and reliability of your heater.

ENERGY SAVING TIPS

1. If possible, keep pool or spa covered when not in use. This will not only cut heating costs, but will also keep dirt and debris from settling in the pool and conserve chemicals.
2. Reduce pool thermostat setting to 28°C or lower. This is accepted as a comfortable and healthy swimming temperature.
3. Use an accurate thermometer.
4. Set timeclock to start filtration and circulation system no earlier than daybreak. The pool loses less heat at this time and the heat pump operates more efficiently during the warmer times of the day.
5. If your filtration pump is large, consider installing a small pump for circulating water through the heat pump.
6. For pools that are only used on weekends, it is not necessary to leave the thermostat set at 28°C. During the week, lower it by an amount that can easily be achieved in one day (generally 2°C to 5°C).
7. During the winter or while on vacation, turn the heater off.
8. Set up a regular program of preventative maintenance for the heater each new swimming season.

WINTER OPERATION

If the pool won't be used for a month or more, turn the heater off at the main isolating switch. For areas where there is no danger of freezing, water should circulate through your heater all year long even though you are not heating your pool.

Where freezing is possible, it is necessary to drain the water from the heater. This may be done by loosening the inlet or outlet barrel union. If the heater is below water level, isolate it from the pool first by closing shut off valves before and after the heater.

CAUTION: If the heater has been drained for freezing conditions, do not turn on until the system is circulating water.

INSTALLATION

THIS APPLIANCE MUST BE INSTALLED BY AN AUTHORISED PERSON. Refer to heater data plate for specifications of operating voltage and current and water pressure.

This appliance must be installed in accordance with local regulations and the National Wiring Rules.

A multi-pole isolating switch must be installed that operates in all live conductors so that it isolates the entire equipment from the supply.

FLOW RATES

The Hurlcon Pool Heater requires a minimum of 150 litres per minute flow and the maximum permissible flow rate is 450 litres per minute. For flow rates in excess of 450 litres per minute, an external by-pass valve must be fitted.

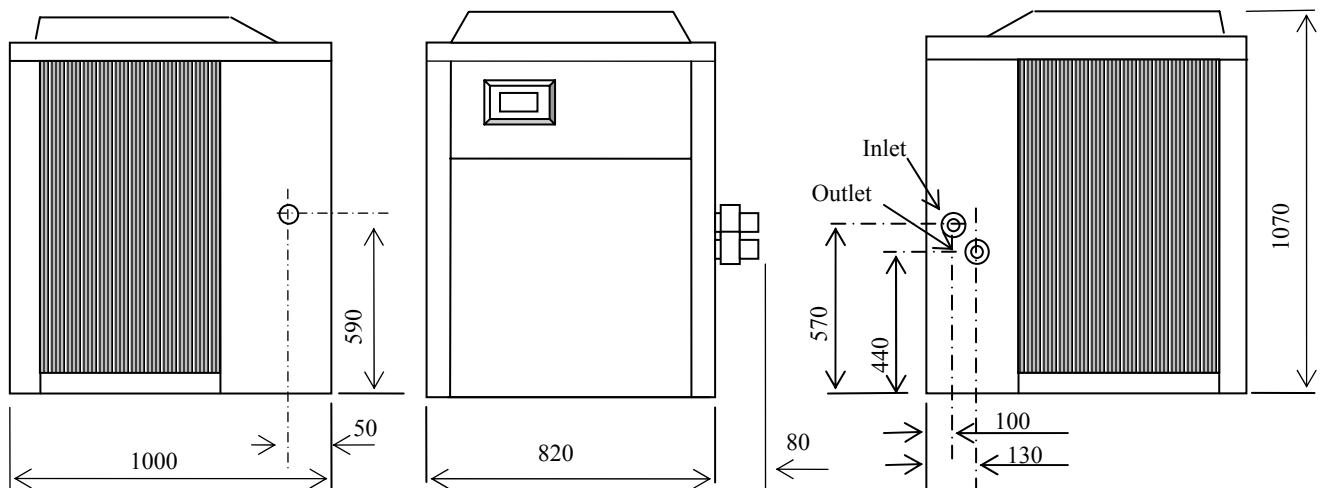
WATER CONNECTIONS

Where the heat pump is installed in the filtration circuit, the heater should always be installed after the pump and filter. The water connections are located on the right hand side of the heater. The inlet and outlet are clearly marked. Water connections require 40 mm PVC glue in plumbing.

All automatic sanitising devices must be installed after the heater and in such a way that the sanitiser cannot enter the heater without first mixing with the water in the pool or spa. Sanitisers that are connected prior to the heater will void heater warranty.

The Hurlcon Heat Pump Pool Heater is suitable for outdoor installation.

HEATER DIMENSIONS



**Heat Pump must be
installed outdoors**

CLEARANCES

The heater must be installed at least 600 mm from any obstruction to airflow at the rear and sides.

There must be at least 1500mm clearance above the heater.

Adequate clearance should be provided at the front of the heater to permit access to the controls and service panel.

Heater must be installed on a solid, level base.

ELECTRICAL CONNECTION

The heater must be installed by a licensed electrician. The heater incorporates a 240/24 VAC transformer which supplies power to the control circuit. All pool or spa equipment connected to mains power should be protected by an RCD circuit breaker.

Refer to heater data plate for specifications of operating voltage and current.

This appliance must be installed in accordance with local regulations and the National Wiring Rules.

A multi-pole isolating switch must be installed that operates in all live conductors so that it isolates the entire equipment from the supply.

PRESSURE SWITCH ADJUSTMENT

The Hurlcon Heat Pump Pool Heater incorporates a water pressure switch which allows the unit to operate only when the circulating pump is operating.

It is imperative that the following be undertaken by the person who is commissioning (first starting) your pool or spa heater. On initial start up of the heater it may be necessary to adjust the water pressure activation switch.

This switch is installed in the plastic header located at the upper right hand side of the area behind the access door. The pressure switch is designed to allow operation of the heater only when the circulating pump is turned on and there is sufficient water flow through the heater. It must shut the heater down immediately the pump is switched off.

To check the operation of the switch:

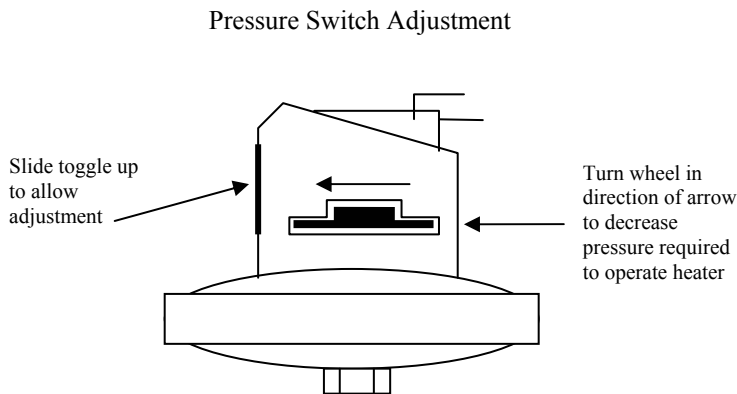
1. Connect the heater to mains power supply. The thermostat should not yet display “0”.
2. Turn on pump. The thermostat should now display “0”.
3. Turn pump off. The thermostat should no longer display “0”.
4. If display does not respond in this way, adjust the pressure switch as detailed below. If display responds correctly, perform a final check with the heater operating.- See the section below titled “Starting the heater”

To adjust pressure switch:

- a) Connect the heater to mains power supply
- b) Turn pump off.
- c) Slide toggle on side of pressure switch up to allow knurled wheel to be turned.
- d) Turn knurled wheel clockwise (as viewed from above) until “0” is displayed.
- e) Turn knurled wheel anti-clockwise until “0” disappears.
- f) Continue to wind anti-clockwise for a further half turn (180 degrees).
- g) When the switch is correctly set, slide the toggle up to lock the knurled wheel in position.

WARNING: If the pressure switch cannot be adjusted correctly, DO NOT OPERATE THE HEATER, contact Hurlcon or an Authorised Service Agent for advice.

- h) Perform a final check with the heater operating.- See the section below titled “Starting the heater”.



STARTING THE HEATER

1. Turn power to unit on. Thermostat should now operate and indicate water temperature.
2. Turn circulating pump on. Thermostat should display “0” to indicate water flow.
3. Set thermostat to “ON” and press the “^” button repeatedly until set temperature is greater than water temperature. Thermostat should now display “*”.
4. After a few seconds, the fan should start. After a few minutes the compressor should start.
5. While leaving the heater on, turn the pump off and on at 15 second intervals, six times. Make sure the heater turns off and on each time. If it does not, adjust the pressure switch as detailed above.

Guide to Heat Pump Noise

Heat Pumps are designed for slow heat up times and maintenance heating. The limitation of power supply in nearly all residential homes means that a Heat Pump's maximum size for most homes is about 6 hp. A unit of this size will typically generate around 25 kW of pool heating at maximum efficiency. For most swimming pools, this means the Heat Pump will operate for 2 or 3 days continuously for the initial heat up period and then between 12 and 24 hours each day to maintain the swimming pool temperature.

Heat Pumps are very similar to air conditioners. An evaporator fan and compressor operate during their "on" time and as the "on" time can be 12 to 24 hours per day, care must be taken to locate the Heat Pump so that the noise produced during its operation does not interfere with sensitive areas - not only in your own home but in your neighbour's home.

Each State in Australia has municipal, state and EPA laws which govern the installation and operation of outdoor appliances in residential areas. In general, noise from an appliance such as a Heat Pump must not unreasonably interfere with the health, welfare, convenience, comfort and amenity of any person having regard to the nature and duration of the noise emission and the time of day at which the noise is emitted.

Criteria for noise emissions generally take into account back ground noise at the time of day, but the most stringent criteria applies at night – and take into account, the Heat Pump will most likely need to operate at night during cooler months of the year to maintain the pool temperature.

This guide provides an estimate only and should not be taken as definite advice on the location and installation of your Heat Pump. Should any doubt exist, seek advice from an Acoustical Consultant which can be found in the Yellow Pages.

The DX 120 Heat Pump has a sound power level of 66 dB(A) at 1 metre distance. The following factors should be taken into account when working out where to locate the Heat Pump.

Determining Distance to Neighbour's Boundary

$$\boxed{66 \text{ dB(A)}} - \boxed{\text{Barrier Factor}} + \boxed{\text{Reflection Factor}} = \boxed{\text{Distance Factor}}$$

Box 1 Box 2 Box 3

Barrier: A fence or barrier can reduce the level of the Heat Pump's noise heard in neighbouring premises. To do this, the barrier or fence needs to be continuous with few or no gaps and go down to ground level. It must also prevent the Heat Pump from being seen from noise sensitive locations on neighbouring premises. Noise sensitive locations include bedroom and living room windows (including second storey dwellings) and outdoor entertaining/relaxing areas.

Factor for Box 1

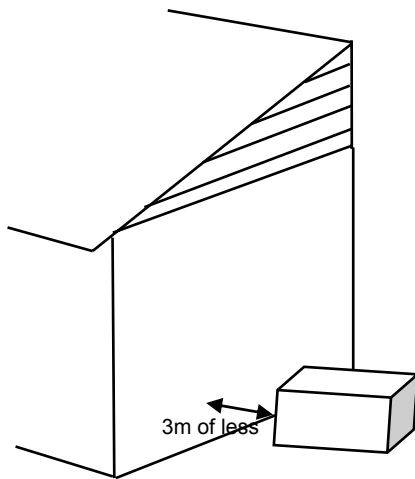
Carefully read through the fence/barrier descriptions below. Select a value that corresponds to the fence/barrier description applicable to your situation. Put this value in Box 2 above.

	Description	Value for Box 1
1	The fence/barrier does not prevent the Heat Pump from being seen from noise sensitive locations on neighbouring properties	0
2	The fence/barrier blocks line of sight but is made of material having large gaps, such as a picket fence, or brick wall with openings or fancy inserts.	0
3	The fence/barrier blocks line of sight of the Heat Pump from noise sensitive location eg: Typical paling fence with small gaps due to warping.	5
4	The fence/barrier blocks line of sight of the Heat Pump from noise sensitive location e.g. "Colorbond" fencing, concrete block/masonry/brick, Fibre cement sheeting	10

Reflection Factor

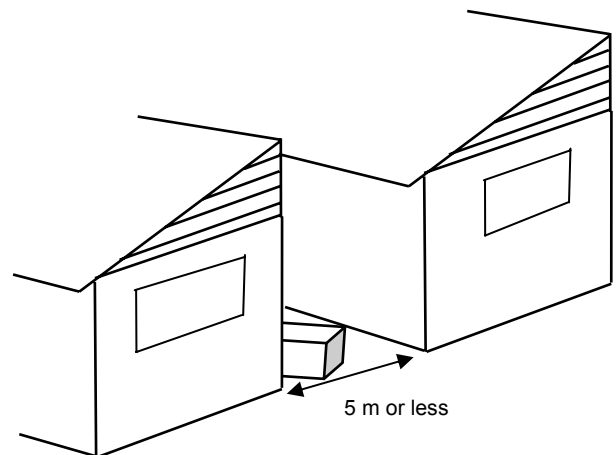
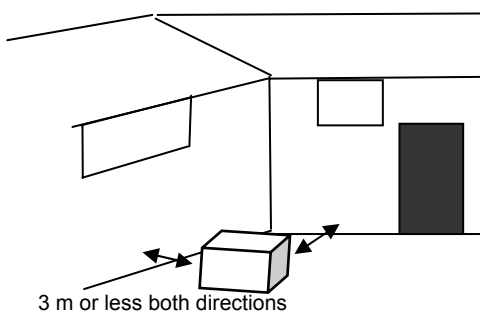
Noise can reflect from walls, roofs, sheds etc. This can have the effect of making the noise seem louder than what it is. Put the corresponding value in Box 3.

Factor for Box 2



One Reflective Surface
Value for Box 3 = 3

2 reflective surfaces
Value for Box 3 = 6



Distance Factor

An example may look like this:

A Timber Paling fence that goes right to the ground with some small gaps due to age, is worth a barrier factor of 5.

One reflective surface adjacent to the Heat Pump is worth a factor of 3.

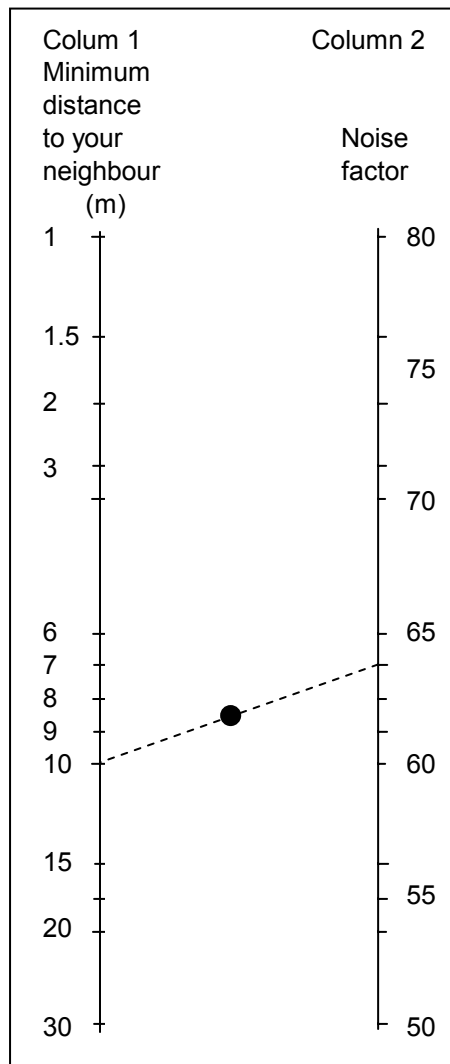
The DX 120 Heat Pump has a sound power level of 66 db(A).

Therefore your equation will now look like this:

$$\begin{array}{ccccccc}
 66 \text{ {db(A)}} & - & 5 & + & 3 & = & 64 \\
 \text{Heat Pump Sound} & & \text{Barrier Factor} & & \text{Reflective Surface} & & \text{Distance Factor} \\
 \text{Pressure Level} & & & & \text{Factor} & &
 \end{array}$$

The distance factor is 64 which should be written in Box 3.

The final step is to mark 64 on Column 2 below and draw a straight line through the middle X to reach Column 1. Column 1 is the minimum distance the Heat Pump should be installed from a noise sensitive area in your neighbour's residence.



With one reflective surface and a timber paling fence with small gaps, the Heat Pump needs to be installed at least 10 metres from a noise sensitive area in your neighbour's property.

This calculation is intended as a guide only and no warranty is made or implied by Hurlcon as to its accuracy. Please consult an Acoustical Consultant or phone your Hurlcon branch office if in any doubt.

Further Guidelines for installation of Heat Pumps

- DX Heat Pumps must be installed outdoors – never install inside a plant room, garage etc.
- Allow a minimum of 500mm clearance from the sides and rear of the heat pump and a minimum of 600mm service access from the front of the Heat Pump.
- Ensure an electrical isolation switch is located nearby the Heat Pump.
- On Three Phase models, ensure the phase rotation of the compressor is checked before commissioning of the unit.
- Ensure the water pressure switch operation is checked at least 6 times prior to handing over the Heat Pump.
- Refer to Installation and Operating Instructions for full installation, commissioning and operating procedures.

TROUBLESHOOTING

HEATER WILL NOT START

Possible cause	Remedy
Automatic control system fails	Check if power to heater is turned on and pump is in operation
Pump not running	Start pump
Pump airlocked	Check for leaks
Filter dirty	Clean filter
Pump strainer basket clogged	Clean strainer
Defective heater control	Shut off electrical supply and call for service
Thermostat turned off	Turn on
Set temperature lower than water temperature	Increase set temperature
Water too hot-fault condition displayed	Refer to fault indication table

HEATER SHORT CYCLING (RAPID ON AND OFF OPERATION)

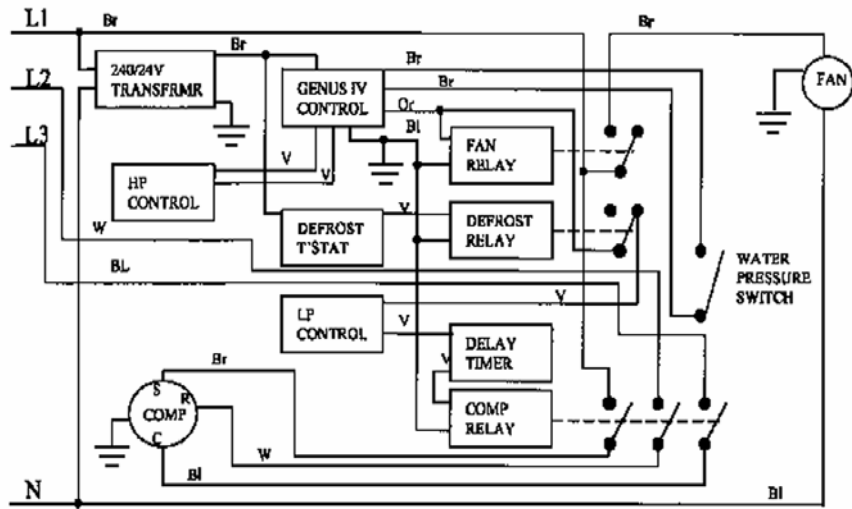
Possible cause	Remedy
Insufficient water flow	Clean filter and pump strainer
Defective wiring	Repair or replace wiring
Defective high limit or thermostat	Repair or replace

If the heater cannot be made to perform correctly, please contact the Hurlcon office closest to you.

For	VIC:	Phone (03) 9765 9765
	NSW:	Phone (02) 9674 8544
	QLD:	Phone (07) 3393 3233
	SA:	Phone (08) 8345 5755

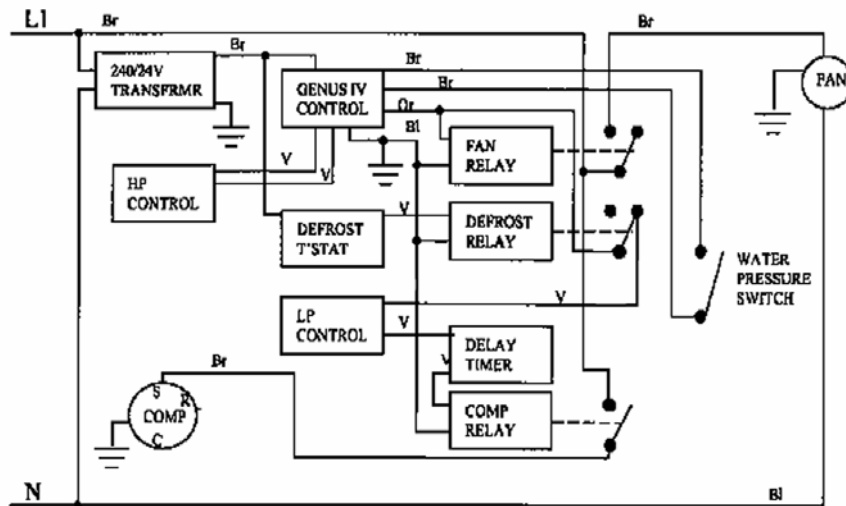
For all other areas, please contact our Victorian office.

Three Phase - Heat Only



Bl Blue Br Brown Or Orange V Violet W White

Single Phase - Heat Only



Bl Blue Br Brown Or Orange V Violet W White

FIVE YEAR PRO RATA WARRANTY

Hurlcon cover your pool and spa heater with a limited 5 year Pro Rata warranty against defective materials and workmanship from the date of purchase (plus 30 days to allow for installation).

1. The cabinet is covered for a period of five years (plus 30 days to allow for installation).
2. The heat exchanger and water header are covered for a period of two years (plus 30 days to allow for installation).
3. Components such as thermostat, wiring, gaskets and all other parts are covered for a period of one year (plus 30 days to allow for installation)

The warranty includes in field labour costs where the heater is installed in a capital city metropolitan area or within a 20 km radius of an Authorised Hurlcon Service Agent.

Like your motor vehicle, your new heater requires periodic service and maintenance to keep it operating in top condition and at maximum efficiency. An annual service by one of our qualified service technicians is highly recommended.

Limitations

All warranties only apply if the heater is installed and operated in complete compliance with the installation and operating instructions. The warranty shall not apply to any heaters or parts which have been subject to accident, negligence, alteration, abuse or misuse.

Corrosion of the heat exchanger is caused by improper water chemical balance and will void all warranties. Refer to Installation and Operating Instructions for water balance guide. Hurlcon assumes no liability for consequential damages of any kind. In field labour warranty is applicable in capital city metropolitan areas and within a 20 km radius of Hurlcon Authorised Service Agents. Should you request a warranty service call and the problem is diagnosed as non-warrantable, you will be charged for a diagnostic service call plus any parts and labour required to repair the heater. No person is authorised to make any representations on behalf of Hurlcon.

Commercial Installations

On commercial installations, such as health clubs, motels/hotels and hydrotherapy facilities, parts and in field labour warranty (within capital city metropolitan areas or 20 km radius of Authorised Service Agents) is 12 months from the date of purchase plus 30 days.

Hurlcon Manufacturing & Sales Pty. Limited

Victoria: Ph: (03) 9765 9765 Fax: (03) 9764 9009	New South Wales: Ph: (02) 9674 8544 Fax: (02) 9674 8522	Queensland: Ph: (07) 3393 3233 Fax: (07) 3393 3255	South Australia: Ph: (08) 8345 5755 Fax: (08) 8345 5211	Western Australia: Ph: (08) 9258 9322 Fax: (08) 9258 9344
---	--	---	--	--

Website: www.hurlcon.com.au
Email: service@hurlcon.com.au